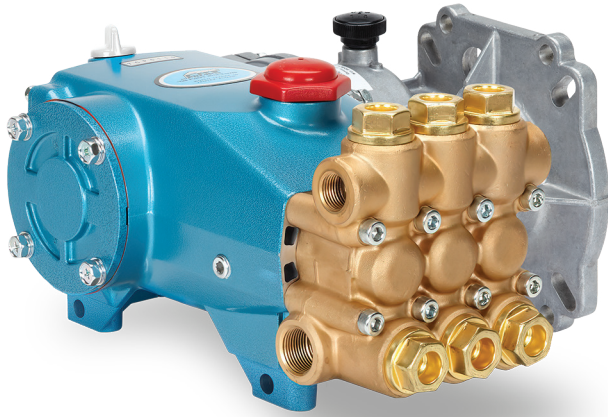


# 7CP6165CSG1 SERIES PLUNGER PUMPS



30.4 LPM | 241 BAR

## Engineered for the Most Demanding Mobile Applications

Cat Pumps Models 7CP6165CSG1 and 7CP6165CSG118 raise the bar for high-performance, high-pressure pumps. These direct-drive gearbox models are the perfect pumps for demanding mobile applications that require extended life and dependable performance. At 241 bar, these pumps match well to challenging pressure cleaning or sewer jetting environments.

Building on over 50 years of experience, research and pump development, Cat Pumps engineers continue to expand the 7CP Series pumps with the addition of a gearbox that allows the pump to run at about half the engine's speed. This design increases the pump's longevity in continuous-duty applications, and allows for an easy-to-assemble compact footprint as it eliminates the need for cumbersome belts and pulleys.

Cat Pumps gearbox pumps are #1 in commercial-duty pressure washers due to their superior product life and ability to perform well under continuous-duty use.

### Features

- Gearbox Drive
  - Slows pump speed down to significantly increase seal and valve life
  - Eliminates the need for belt maintenance and reduces alignment issues
  - Allows for an easy, compact installation onto 1" or 1 1/8" shaft petrol or diesel engines
- 316 stainless steel machined valves ensure positive seating against seats under high-pressure operation, promoting extended valve life
- High and low-pressure seals are completely lubricated and cooled by the pumped water, significantly increasing the pump life

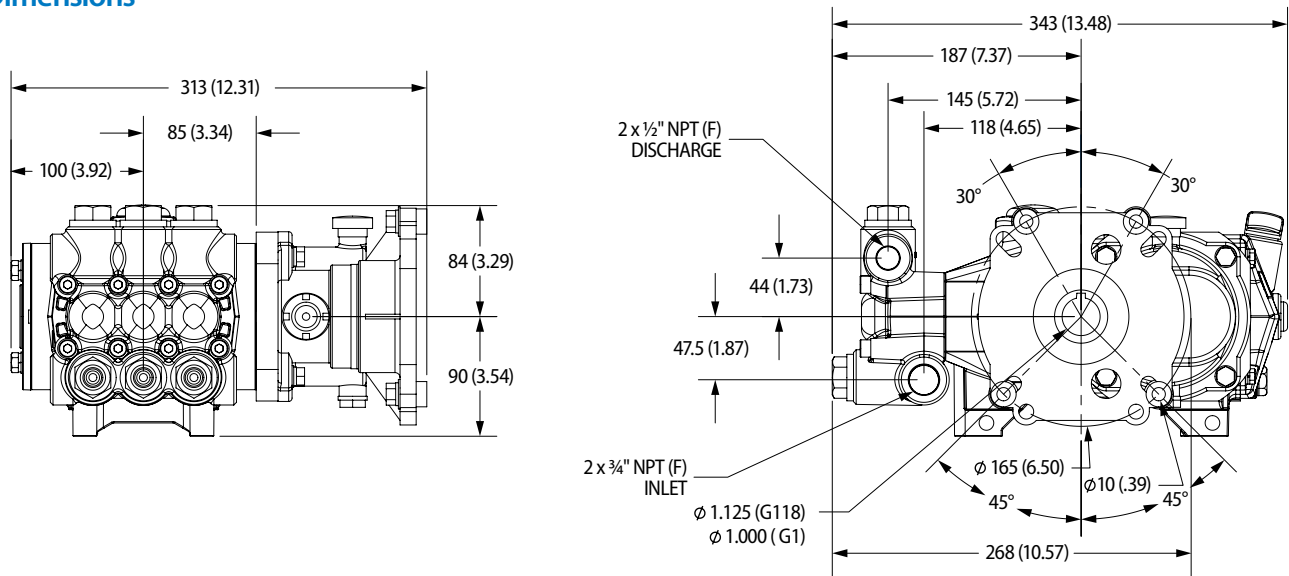
### Typical Applications:

- Mobile Pressure Wash
- Surface Preparation
- Water Jetting
- Hydro Excavation
- Wash Down
- Sewer Jetting

## Specifications

	METRIC MEASURE	US MEASURE
Flow	30.4 lpm	8.0 gpm
Pressure	241 bar	3500 psi
Engine RPM	3265 rpm	3265 rpm
Inlet Pressure Range	Flooded to 4.8 bar	Flooded to 70 psi
Max Liquid Temperature	60° C	140° F
Inlet Ports (2)	¾" NPT(F)	¾" NPT(F)
Discharge Ports (2)	½" NPT(F)	½" NPT(F)
Weight	17.6 kg	38.8 lbs
Dimensions	343 x 313 x 174 mm	13.48 x 12.31 x 6.83"

## Dimensions



## Popular Accessories



**Unloader**  
**PN 7542**  
 3.8–80 lpm  
 (1–21 gpm)  
 28–280 bar  
 (406–4060 psi)



**Pop-Off Valve**  
**PN 9940**  
 0–95 lpm  
 (0–25 gpm)  
 69–275 bar  
 (1000–4000 psi)



**Pressure Gauge**  
**PN 6089**  
 0–413 bar  
 (0–6000 psi)



**Thermal Valve**  
**PN 7142**  
 95 lpm Max  
 (25 gpm Max)  
 63° C  
 (145° F)



**Oil**  
**PN 6132**  
 1 litre (33.8 oz.) Bottles  
 Specially Formulated for  
 Extended Protection

Contact Cat Pumps for more information at [sales@catpumps.co.uk](mailto:sales@catpumps.co.uk) or +44 (0)1252 622031.



**CAT PUMPS (U.K.) LTD.**  
 1 FLEET BUSINESS PARK, SANDY LANE, CHURCH CROOKHAM  
 FLEET, HAMPSHIRE GU52 8BF, ENGLAND  
 P: +44 (0)1252 622031  
[sales@catpumps.co.uk](mailto:sales@catpumps.co.uk) | [www.catpumps.co.uk](http://www.catpumps.co.uk)

For International inquiries go to [www.catpumps.co.uk](http://www.catpumps.co.uk) and navigate to the "Contact Us" link.

©2023 Cat Pumps Inc. All rights reserved. All written and visual data contained in this document are based on the latest product information available at the time of publication. Cat Pumps reserves the right to make changes at any time without notice. All other brand names or marks are used for identification purposes and are trademarks of their respective owners.

PN 995STUK017 Rev A 23190 9/23